



xTOOL Concealed thermostat module with 2 valves -

35 529 970



- red brass, lead-free
- 2x back flow preventer
- 2x female thread 3/4" connections
- 2x female thread 1/2" outlet
- 1x female thread 1/2" outlet for additional valves
- 3x anti-water packing
- 3x dust cover
- soundproofing
- suitable for xGRID (when using installation track + 12 mm recess depth)

Can only be combined with exposed trim parts 36 417 980-FF / 36 417 985-FF or 36 315 980-FF / 36 315 985-FF.

NOTE: Important for certain series!
Due to minimum rough-in requirements, a framing of 2x6 studs is needed.

Recommended miscellaneous

Extension 28 mm -

12 177 970 90



Recommended miscellaneous

Extension 46 mm -

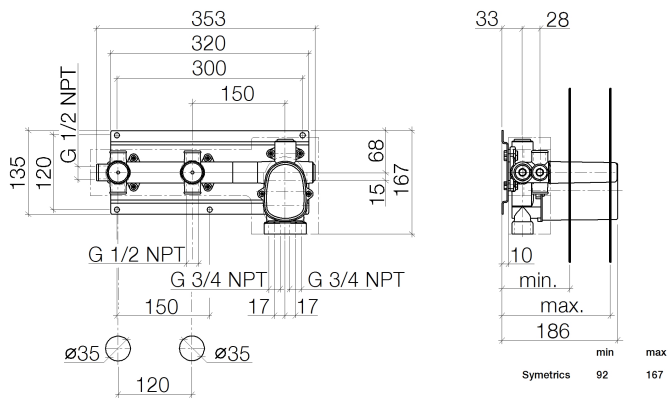
12 178 970 90



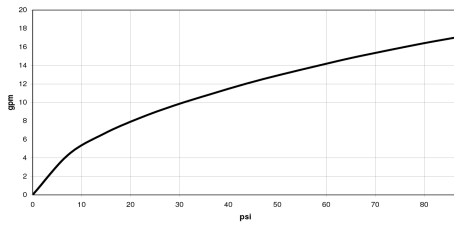


xTOOL Concealed thermostat module with 2 valves -

35 529 970



Flow rate chart

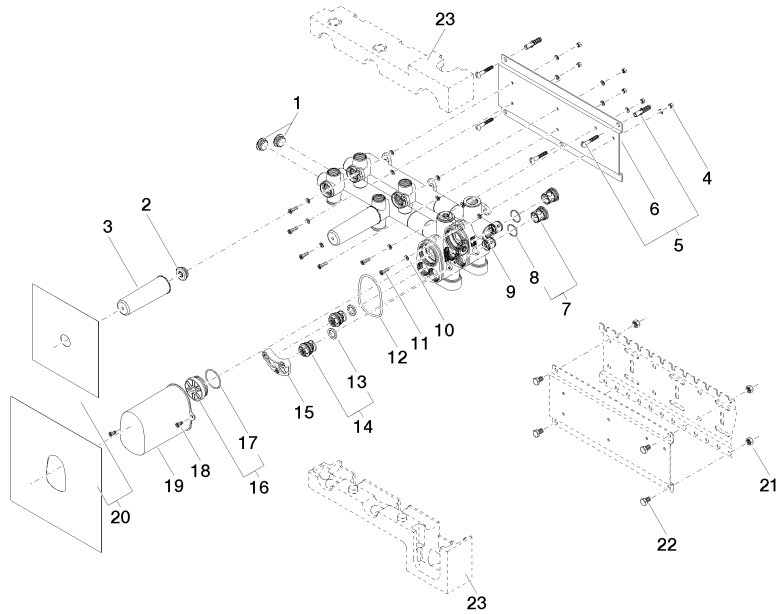


Certificates

IAPMO_4976 (3).

xTOOL Concealed thermostat module with 2 valves -

35 529 970





xTOOL Concealed thermostat module with 2 valves -

35 529 970

Spare parts list

No.	Item Number	Name	Quantity used	Delivery time
1	04 31 20 062 10 90	plug	6	2
2	04 31 20 006 00 90	plug	2	2
3	09 21 02 102 90	cap	2	2
4	09 30 35 002 90	plug	6	2
5	04 30 31 024 01 90	fixing set	2	2
6	09 17 20 092 90	holder	1	2
7	04 21 34 077 00 90	nipple	4	2
8	09 14 10 098 90	seal	4	2
9	90 23 01 045 00 90	back-flow preventer	2	2
10	09 30 11 138 90	disc	18	2
11	09 30 30 058 90	screw	6	2
12	09 14 10 189 90	seal	1	2
13	09 14 05 002 90	seal	2	2
14	90 29 05 031 00 90	insert	2	2
15	90 12 12 218 00 90	base	1	2
16	04 31 20 100 00 90	plug	1	2
17	09 14 10 111 90	seal	1	2
18	90 30 30 027 00 90	screw	2	2
19	09 21 02 103 90	cap	1	2
20	04 14 03 073 06 90	gasket kit	1	2
21	09 23 10 023 90	nut	4	2
22	09 30 30 152 90	screw	4	2
23	09 11 11 042 90	accessories	1	2